



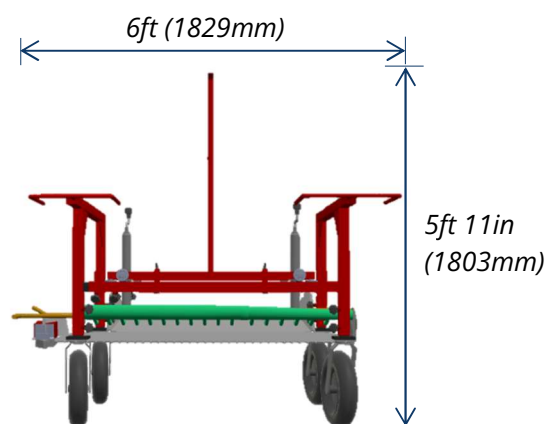
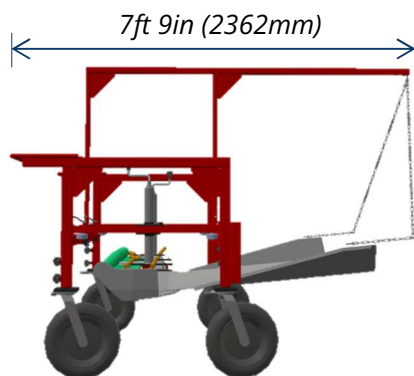
## Agrinomix EZ Cut Trimmer

### Machine Description

Powerful and precise, the EZ Cut trimmer will trim beds employing only two workers, 4 to 5 times faster than a crew of 8 workers with more uniform results. The adjustable frame accommodates any bed sizes between 5 and 10 feet wide. The rolling frame can also be easily modified to mount onto existing bench systems, allowing users to trim rolling tables instead of containers on the floor. The blower and bag collection system captures all clippings to keep them off plants, out of beds, and to allow the re-use of clippings as cuttings.

### Technical Specifications

<b>Minimum Frame Size</b>	7ft 9in (2362mm) Long 6ft (1829mm) Wide 5ft 11in (1803mm) Tall	<b>Maximum Trim Height</b>	5in (127mm) clippings
<b>Machine Weight</b>	110lbs (50kg)	<b>Cutting Blade Width</b>	5ft 3in (1600mm)
<b>Cutting Blade Height Adjustment</b>	5.5in - 38in (mm) from ground level	Motor complies with EPA & California regulations for non-road spark engines	



### Optional Features

- Electric/Battery Powered Version
- Blow-down Kit for Poinsettia Pinching
- Custom Frames

## Verified Material List

*Poinsettias*

*Hibiscus*

*Young Roses*

*Grasses*

*Young Boxwoods*

*Young Fruit Plants*

*Young Vegetable Plants*

*Blueberries*

*Celery*

*Almond Trees*

*Pistachio Trees*

*Hops*

*Lavender*

*and More!*