



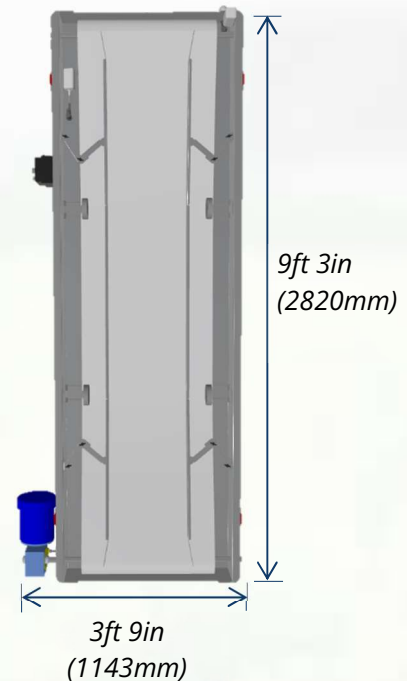
Sub-Irrigator

Machine Description

The Sub-Irrigator provides the advantages of ebb-and-flow irrigation in an in-line setup. It is ideal for use in seeding, propagation, and shipping lines, where uniform watering is needed and overhead watering is either insufficient or not desirable. The final watering before shipping can be critical; the sub-irrigator fully waters the roots without applying moisture to the upper parts of the plant, therefore nearly eliminating the possibility of mold during shipping

Technical Specifications

Length (9ft)	<i>9ft 3in (2820mm)</i>
Length (18ft)	<i>18ft 3in (5563mm)</i>
Width	<i>3ft 9in (1143mm)</i>
Max Container Width	<i>21.5in (546mm)</i>
Belt Speed	<i>8-20 feet per minute</i>
Irrigation Period (9ft)	<i>10-25 seconds</i>
Irrigation Period (18ft)	<i>15-40 seconds</i>
Supply Power	<i>1PH, 110VAC / 15 Amps OR 240VAC / 10 Amps</i>
Supply Water	<i>3/4in line, 12.5 GPM at 60PSI max</i>



Optional Features *(not included)*

- 18ft extended version
- 6-bar water manifold
- Tee-Jet nozzles
- Filter box to capture runoff