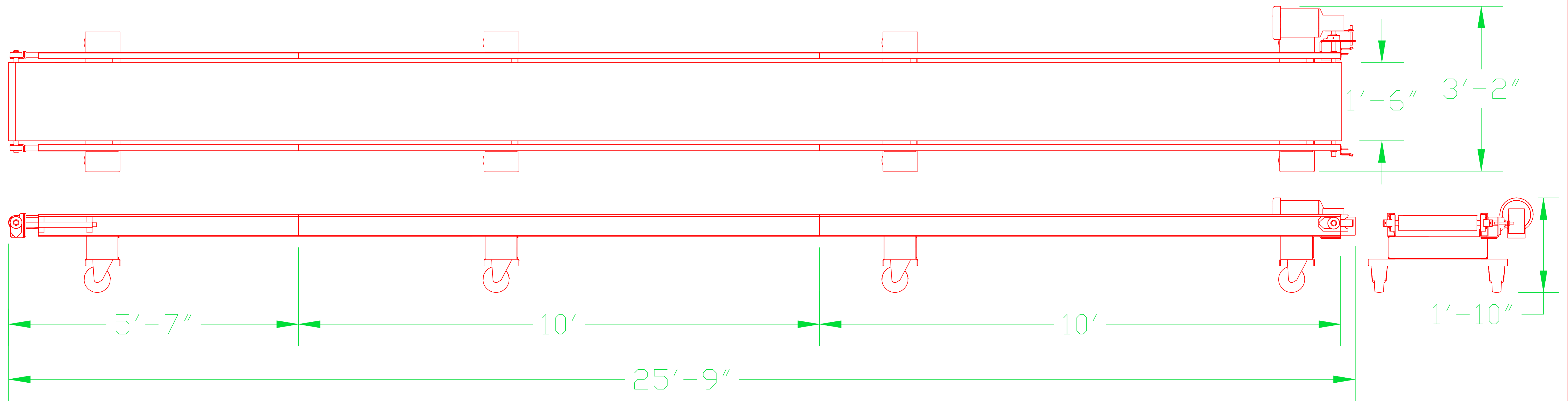


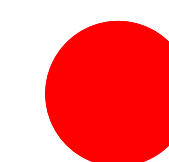
SHIPPING CONVEYOR




ALL RIGHTS RESERVED

THIS DRAWING AND ITS CONTENTS ARE THE PROPERTY OF AGRINOMIX L.L.C. ANY REPRODUCTION OR DISTRIBUTION WITHOUT WRITTEN CONSENT IS PROHIBITED.

NOTE: THIS DRAWING IS FOR CONCEPT AND COMMUNICATION PURPOSES ONLY! AGRINOMIX L.L.C. ASSUMES NO LIABILITY FOR THE DESIGN OR VIABILITY OF THE CONCEPT



NEW AGRINOMIX

Name / Project WEBSITE		ALL RIGHTS RESERVED THIS DRAWING AND ITS CONTENTS ARE THE PROPERTY OF AGRINOMIX L.L.C. ANY REPRODUCTION OR DISTRIBUTION WITHOUT WRITTEN CONSENT IS PROHIBITED.	
Client TEMPLATE		Drawing by: TAREK ELKHOLY Date:	
 Agrinomix, Inc. 2847 Cordado Drive Orem, UT 84057 Tel: 1-801-775-2983 Fax: 1-801-775-2104		Scale: TO FIT DWG: 1.00	
MACHINE TOOLS FOR GROWERS		Drawing: JEFFREY DUNCAN	