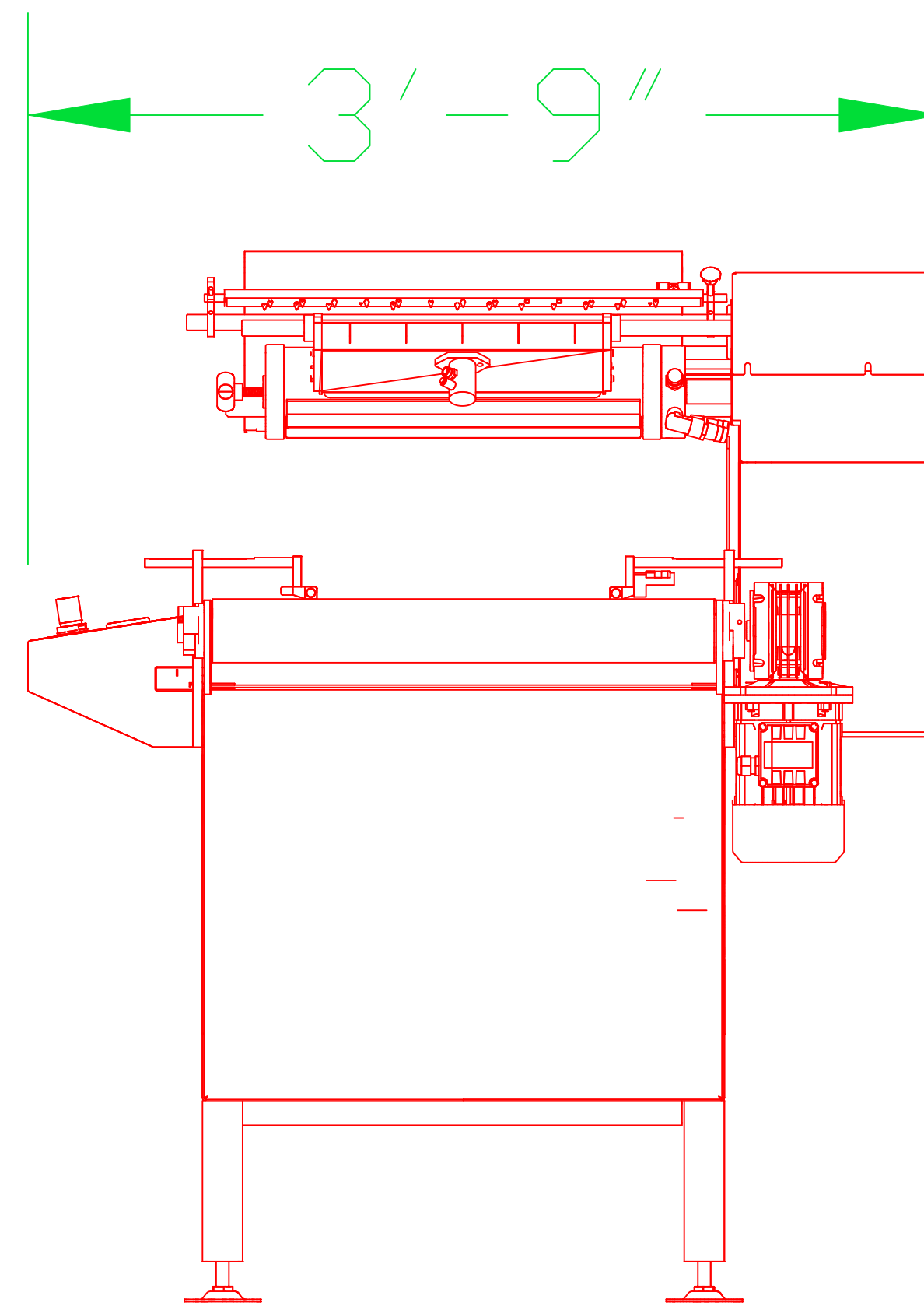
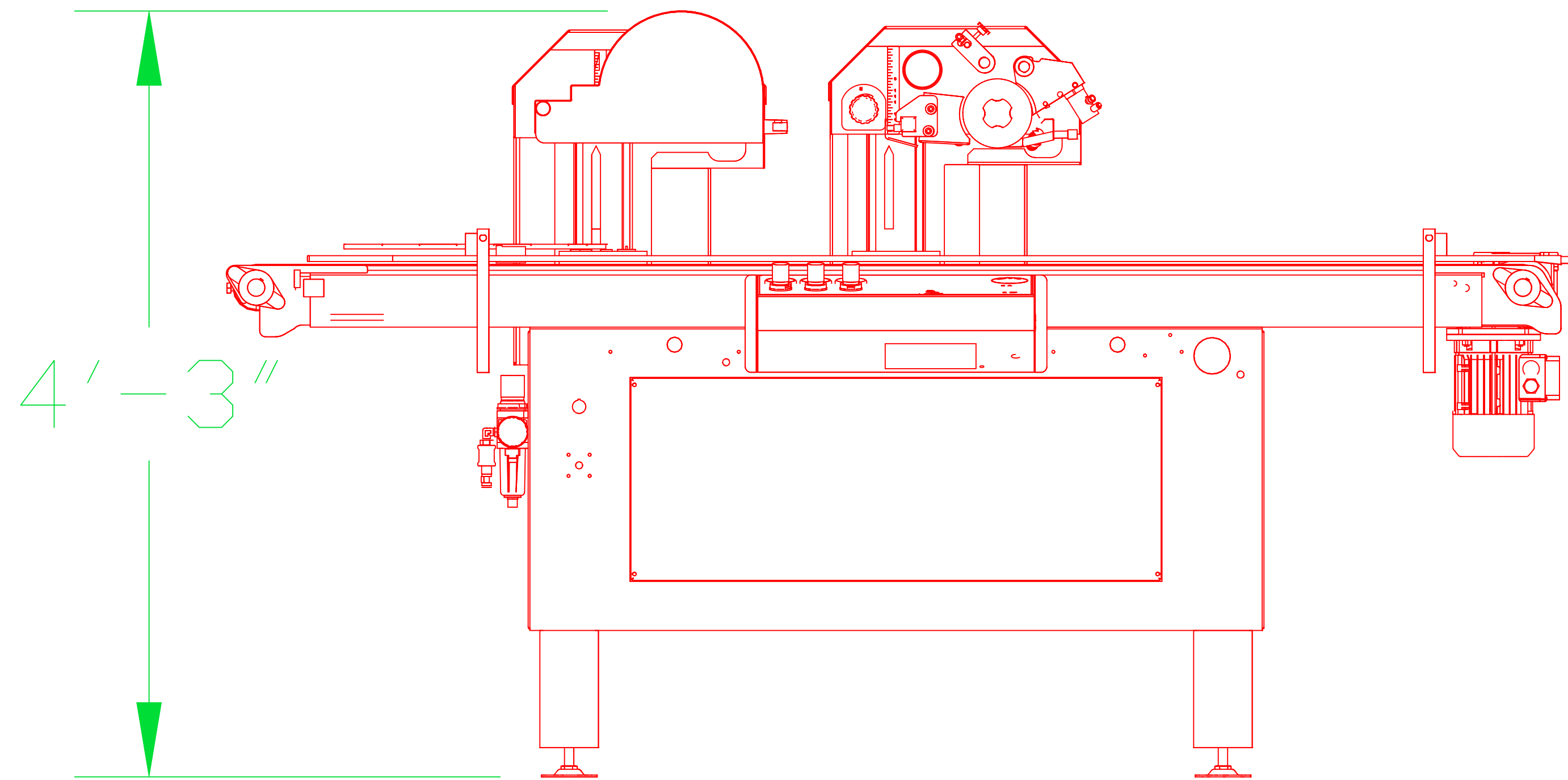
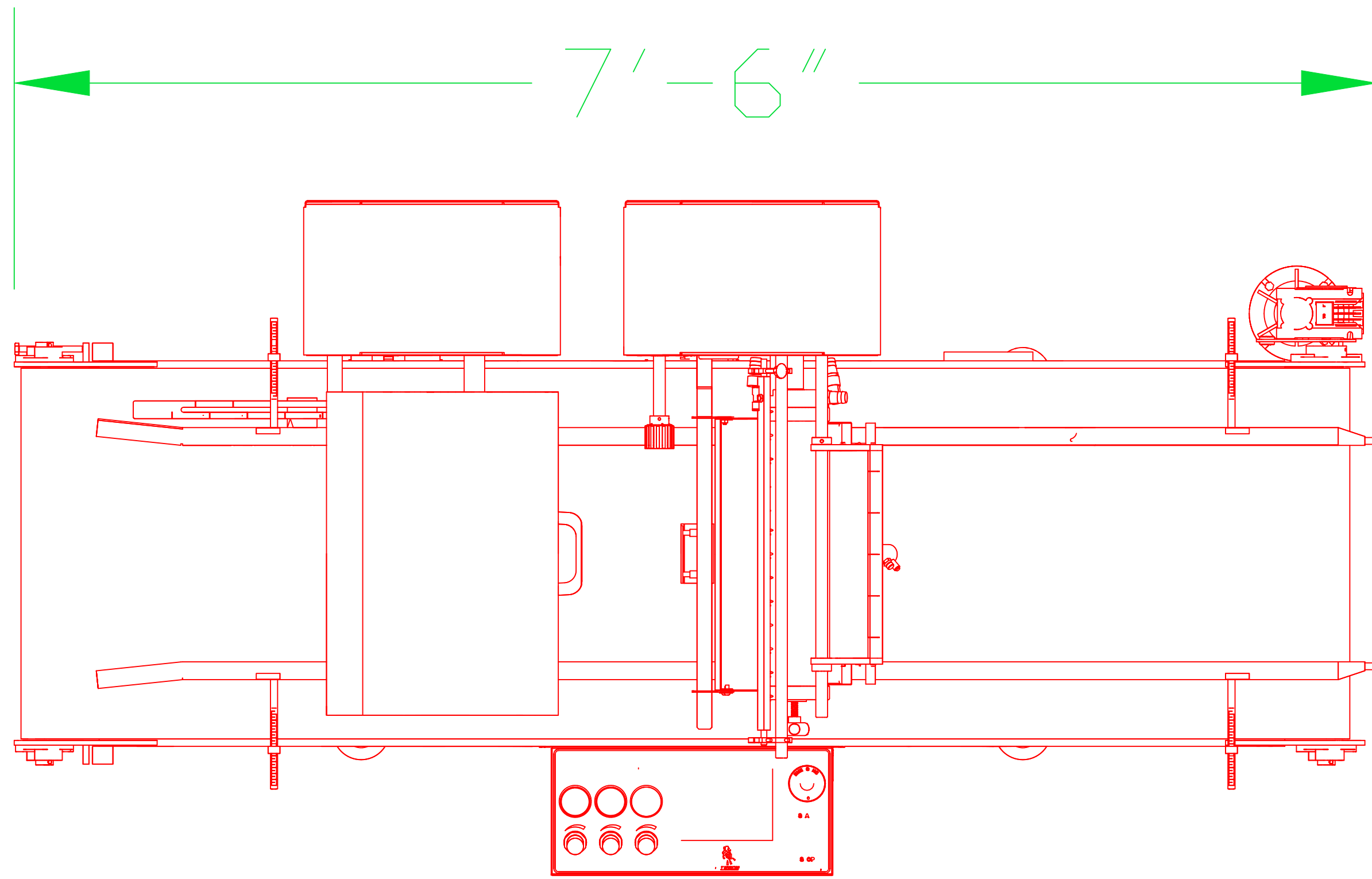


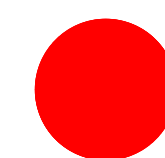
LAMBDA SEEDER



ALL RIGHTS RESERVED

THIS DRAWING AND ITS CONTENTS ARE THE PROPERTY OF AGRINOMIX L.L.C. ANY REPRODUCTION OR DISTRIBUTION WITHOUT WRITTEN CONSENT IS PROHIBITED.

NOTE: THIS DRAWING IS FOR CONCEPT AND COMMUNICATION PURPOSES ONLY! AGRINOMIX L.L.C. ASSUMES NO LIABILITY FOR THE DESIGN OR VIABILITY OF THE CONCEPT



NEW AGRINOMIX

ALL RIGHTS RESERVED THIS DRAWING AND ITS CONTENTS ARE THE PROPERTY OF AGRINOMIX L.L.C. ANY REPRODUCTION OR DISTRIBUTION WITHOUT WRITTEN CONSENT IS PROHIBITED.	
Name / Project WEBSITE	Client TEMPLATE
Agrinomix, Inc. 2847 Cordoba Drive Orlando, FL 32817 Tel: 1-888-775-2983 Fax: 1-408-775-2104	Drawing by: TAREK ELKHOLY Siter Scale: TO FIT LAM 02.000 Drawing: LAMBDA SEEDER