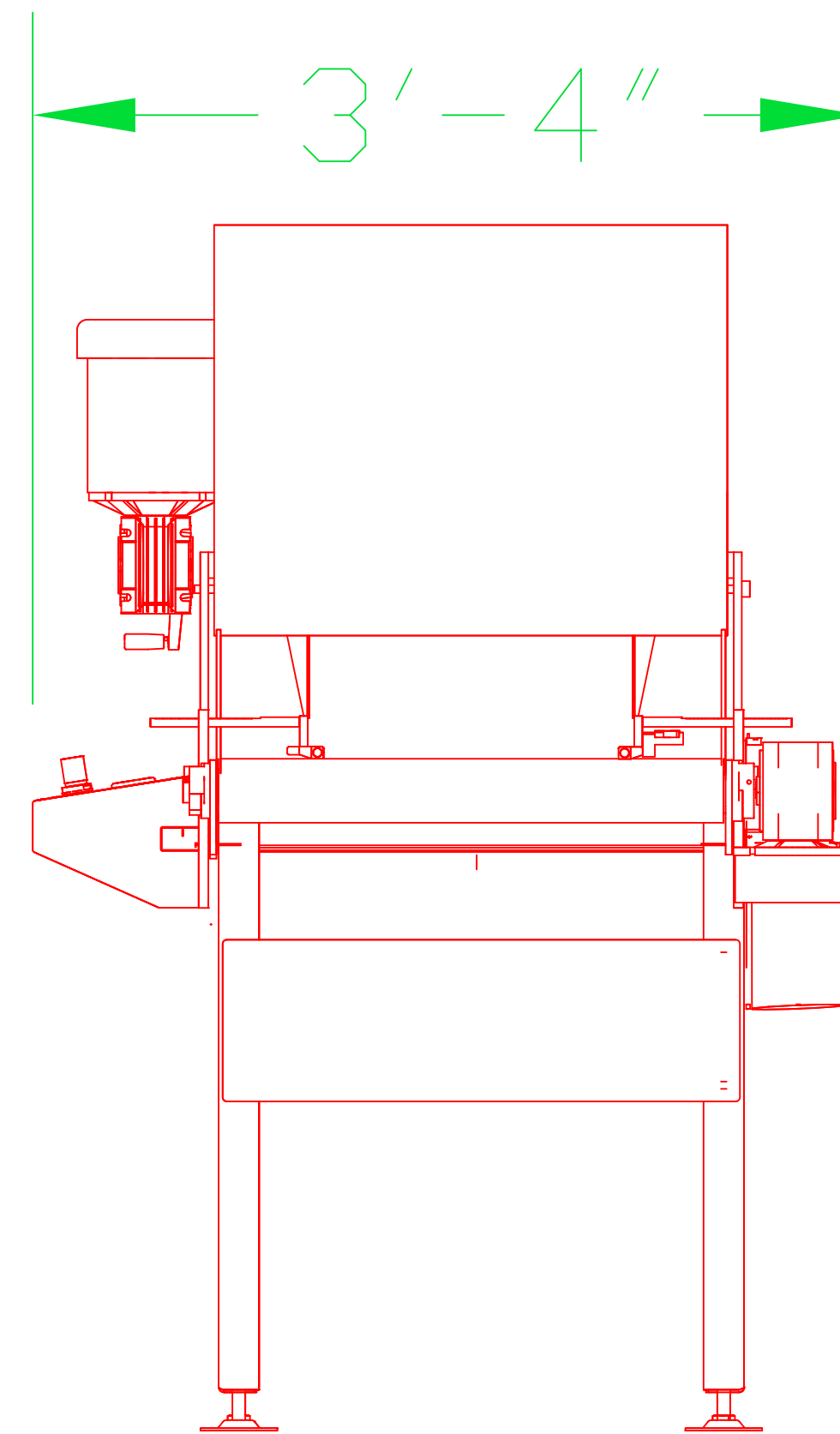
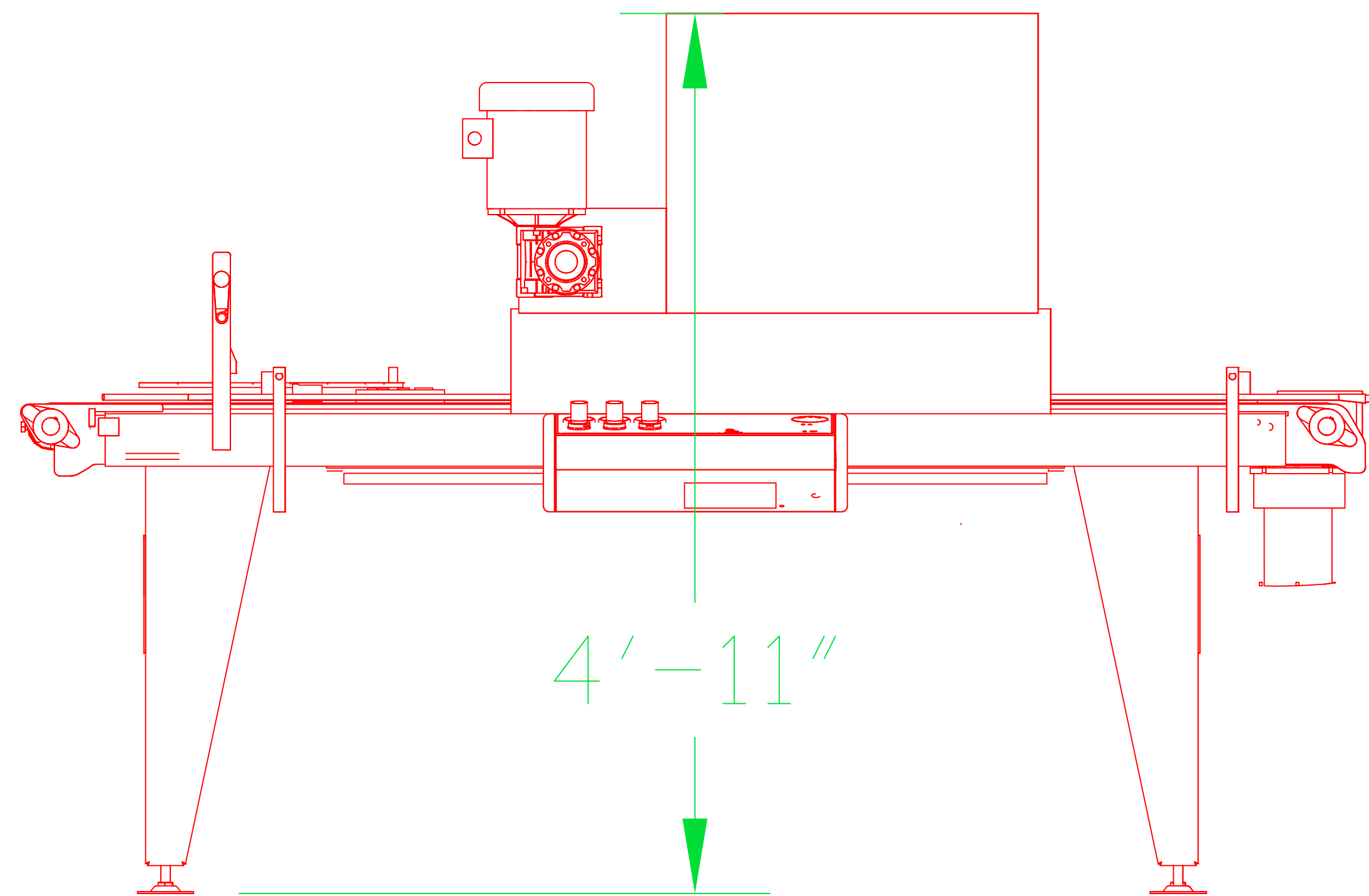
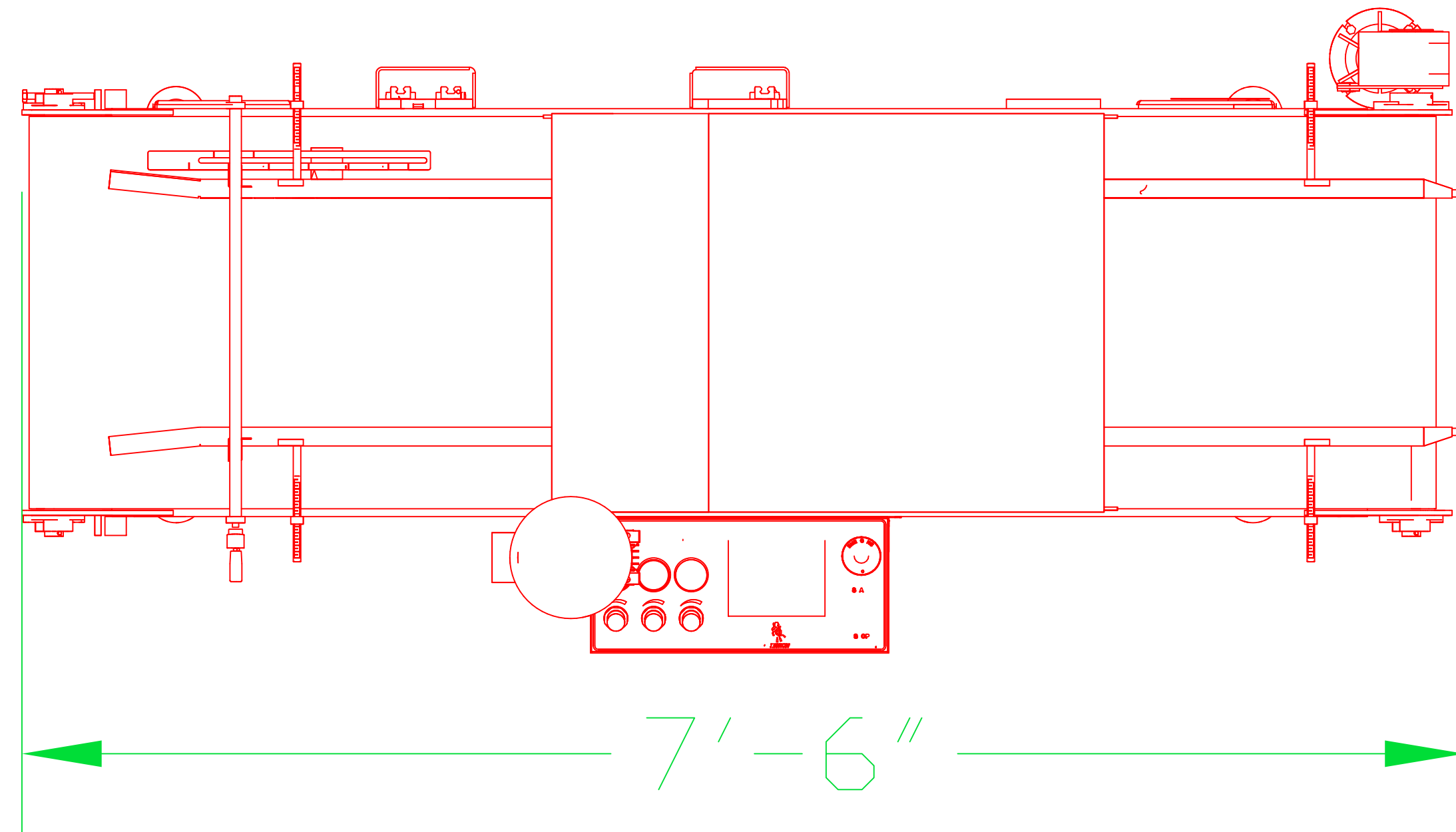


HD COVERING UNIT




 NEW AGRINOMIX

ALL RIGHTS RESERVED

THIS DRAWING AND ITS CONTENTS ARE THE PROPERTY OF AGRINOMIX L.L.C. ANY REPRODUCTION OR DISTRIBUTION WITHOUT WRITTEN CONSENT IS PROHIBITED.

NOTE: THIS DRAWING IS FOR CONCEPT AND COMMUNICATION PURPOSES ONLY! AGRINOMIX L.L.C. ASSUMES NO LIABILITY FOR THE DESIGN OR VIABILITY OF THE CONCEPT

Name of Project WEBSITE		ALL RIGHTS RESERVED THIS DRAWING AND ITS CONTENTS ARE THE PROPERTY OF AGRINOMIX L.L.C. ANY REPRODUCTION OR DISTRIBUTION WITHOUT WRITTEN CONSENT IS PROHIBITED.	
Client TEMPLATE		Date:	
 Agrinomix, Inc. 2865 Conestoga Drive Charlotte, NC 28216 Tel: 1 800 775-2363 Fax: 1 800 775-2364		Drawing by: TAREK ELKHOLY	Scale: 1/8" = 1'-0"
MACHINE TOOLS FOR GROWERS		Drawing: HD COVERING UNIT	