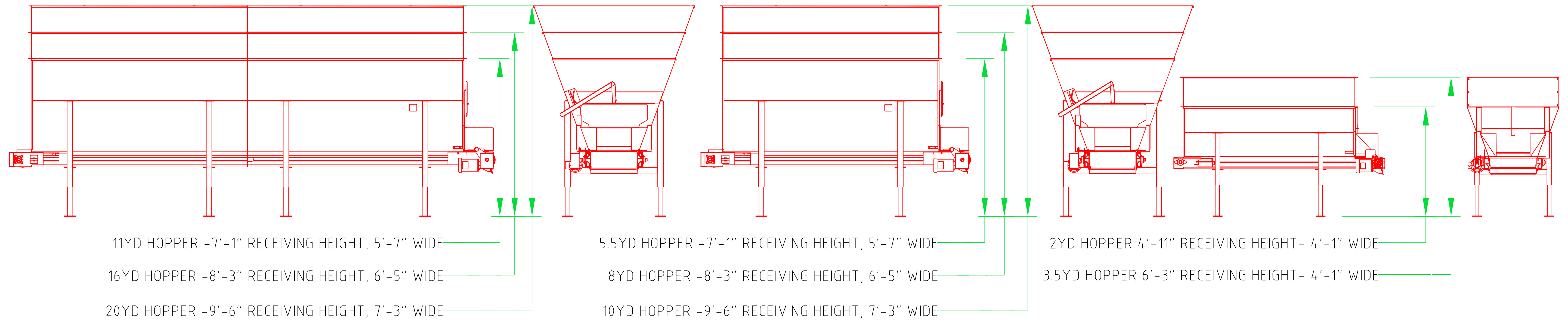
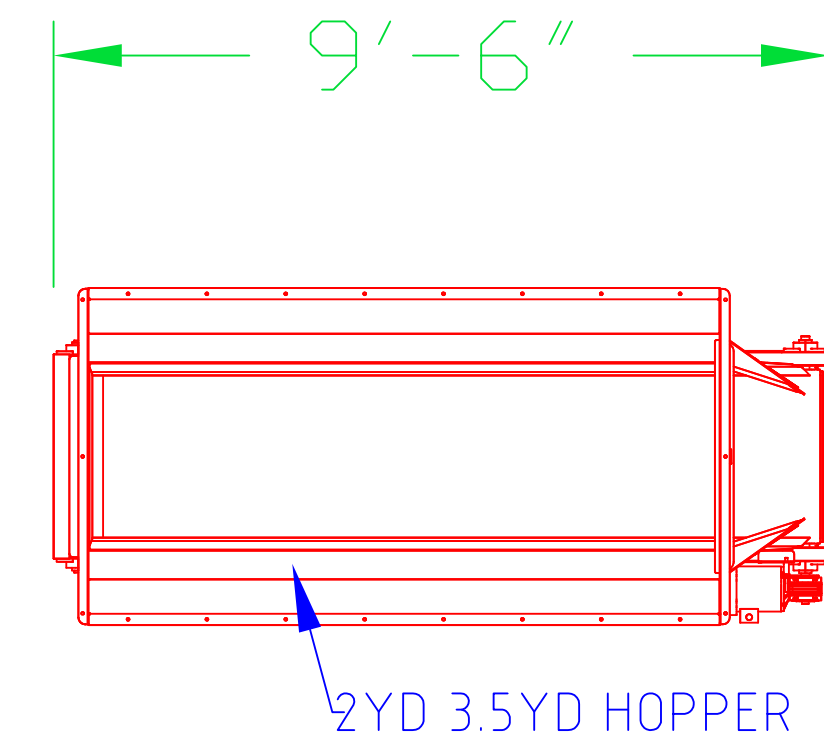
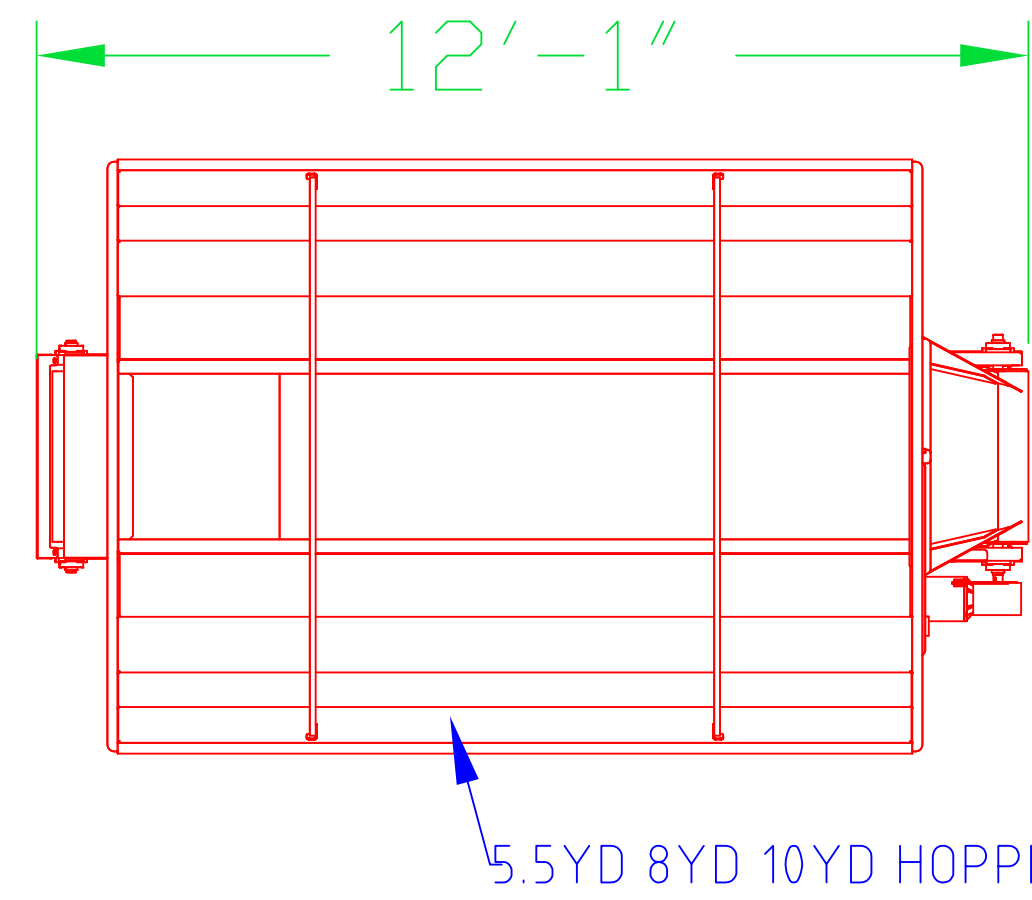
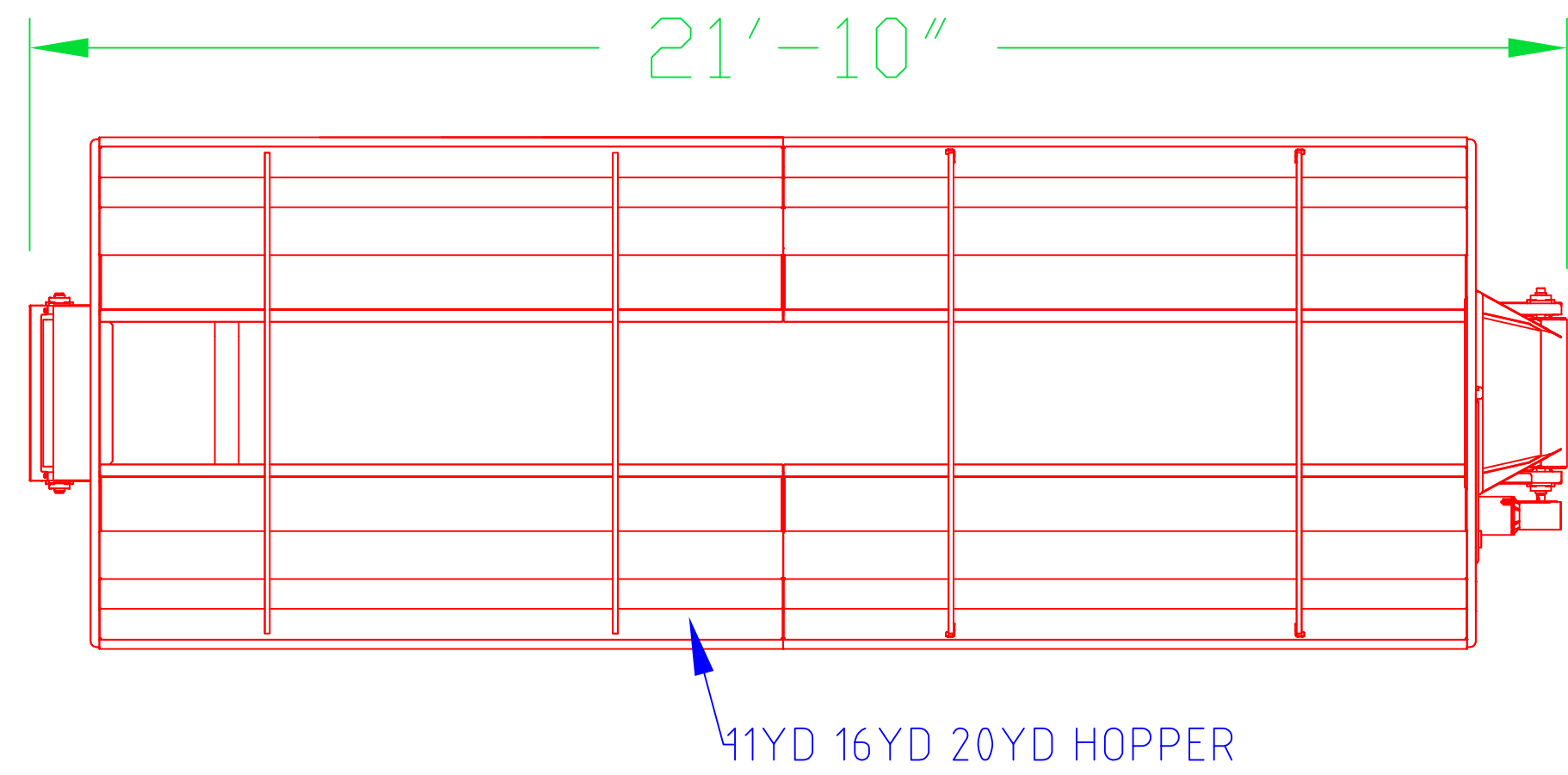


# BULK HOPPERS



ALL RIGHTS RESERVED  
 THIS DRAWING AND ITS CONTENTS ARE THE PROPERTY OF AGRINOMIX L.L.C. ANY REPRODUCTION OR DISTRIBUTION WITHOUT WRITTEN CONSENT IS PROHIBITED.

NOTE: THIS DRAWING IS FOR CONCEPT AND COMMUNICATION PURPOSES ONLY! AGRINOMIX L.L.C. ASSUMES NO LIABILITY FOR THE DESIGN OR VIABILITY OF THE CONCEPT

NOTE: HOPPER HEIGHT IS SUBJECT TO CHANGE BASED ON APPLICATION

NEW AGRINOMIX

Model / Project <b>BULK HOPPERS</b>		ALL RIGHTS RESERVED THIS DRAWING AND ITS CONTENTS ARE THE PROPERTY OF AGRINOMIX L.L.C. ANY REPRODUCTION OR DISTRIBUTION WITHOUT WRITTEN CONSENT IS PROHIBITED.	
Client <b>AGRINOMIX</b>		Drawing by: <b>TAREK ELKHOLY</b>   Date:	
Agrinomis, Inc. 2815 Creechdale Drive Okaloosa, FL 32447 Tel: 1 407 775-2963 Fax: 1 407 775-2164		Scale: TD: FT   Rev: 01.000 Drawing: 01 000 000	